

RGSC-Series



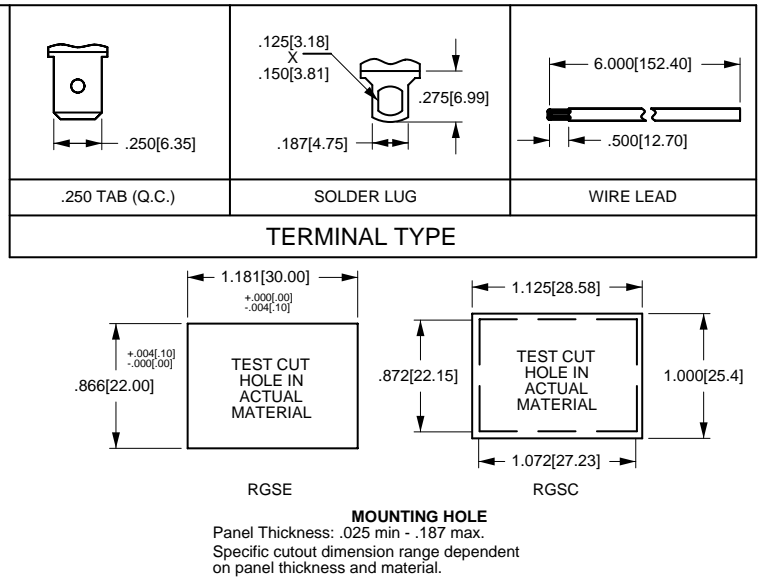
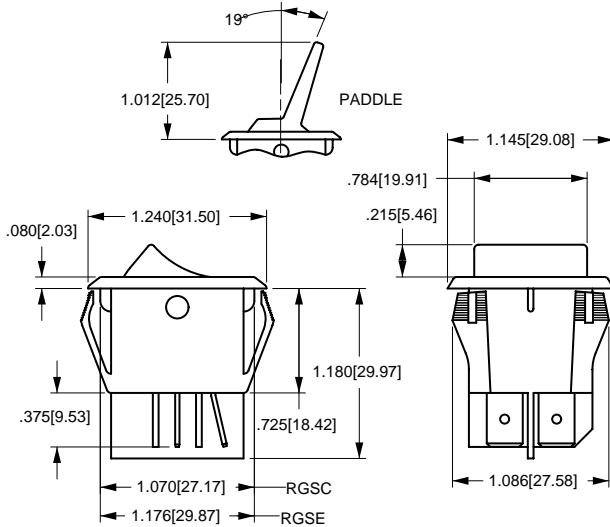
The RGSC-Series Super Corvette rocker switches offer the Corvette styling in a double pole construction with higher electrical ratings and high inrush capabilities. These switches can handle up to 125 amp peak inrush current and can accommodate a wide range of panel cutouts due to the patented mounting ear construction. International ratings are available up to 20 amps.

Specifications

- Certifications*: UL, CSA, VDE
- Dielectric Strength: 1,000V (minimum)
- Insulation Resistance: 100 Megohms (minimum)
- Base Material: Nylon
- Actuator Material: Nylon

* Due to ongoing technological advances, consult factory for certification specifics.

Dimensional Specifications: in. [mm]



RGSC	C	70	1	-	R	-	B	-	B	-	0
SERIES	CIRCUIT¹	RATING²	ACTUATOR STYLE				BASE COLOR³				
RGSC STANDARD BASE RGSB METAL BRACKET RGSE EUROPEAN BASE	A OFF-NONE-ON SINGLE POLE B ON-NONE-ON SINGLE POLE C OFF-NONE-ON DOUBLE POLE D ON-NONE-ON DOUBLE POLE E POLE 1 ON-NONE-ON POLE 2 F POLE 1 ON-NONE-OFF POLE 2 OFF-NONE-ON	20 15A 250VAC 20A 125VAC 21 15A 250 VAC 20A 125VAC 57 10A 250VAC 3/4HP 15A 125VAC 3/4HP 6A 277VAC 3/4HP 70 15A 250VAC 20A 125VAC 3/4HP 125-250VAC 16(6)A 250VAC T85 71 15A 250VAC 20A 125VAC 16(6)A 250VAC T85	P PADDLE R ROCKER ACTUATOR COLOR³ B BLACK W WHITE				ROCKER FACE IMPRINTED LEGEND⁴ 0 NO LEGEND A OFF-ON (VERTICAL) B OFF-ON (HORIZONTAL) D O-I (HORIZONTAL) E O-I (VERTICAL) F ON-OFF (VERTICAL) G ON-OFF (HORIZONTAL)				
TERMINATION											
			0 SOLDER LUG 1 .250TAB (QC) 5 WIRE LEAD								

NOTES:

Shading indicates standard configurations.

Panel Cut-Out Recommendations: For sheet metal panels, switch must enter panel in same direction as the punch. (Burr on bottom.) Test cut hole in actual material.

1 Circuits E and F available with Rating Codes 20, 21 and 57 only.

2 Additional ratings are available. Consult factory.

3 Custom colors are available. Consult factory.

4 White is standard with dark actuators; black is standard with light actuators.