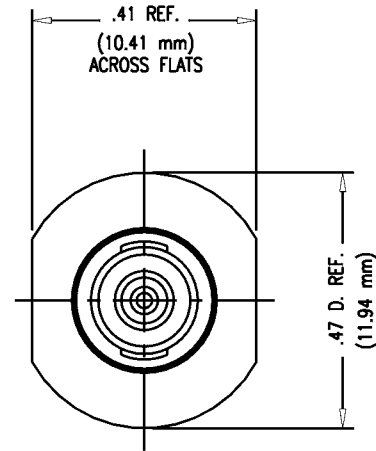
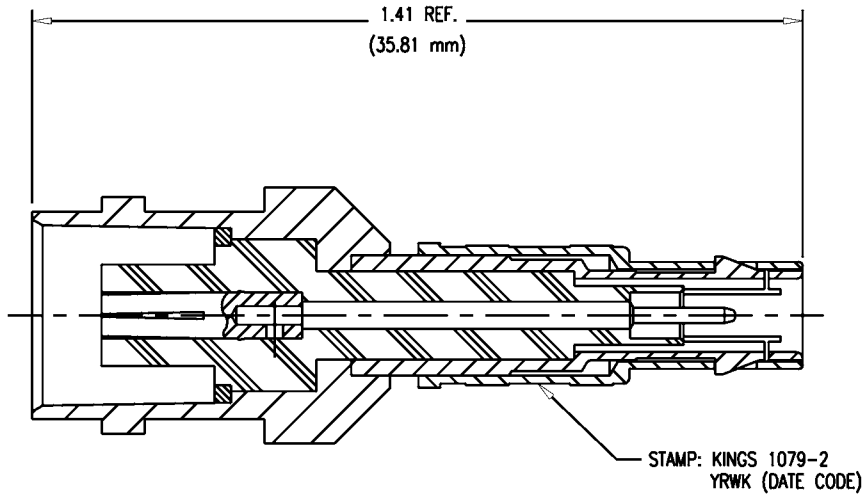


GSD

1079-2



REVISIONS

ISSUE	CHANGES
0	ER 9905 WLA 08/06/71
1	CN 10470 A FORMAT CC 01/27/72
2	CN 10777 A WLA 02/08/72
3	CN 24907 C GJG 08/09/93
4	CN 28182 D CHC 08/04/86
5	CN 37894 E REDRAWN TML 10/20/99
6	CN 38306 C BDH 05/15/01

1079-2

SCALE 4:1

APPROX SURFACE AREA

USED ON

REF:

ADAPTER
BNC (F) TO K-LOC (M)

DRAWN WLA DATE 08/06/71

DESIGN LJ DATE 08/06/71

APPR. DATE

KINGS
ELECTRONICS CO., INC.
ROCK HILL, SOUTH CAROLINA 29730

GSD

1079-2