

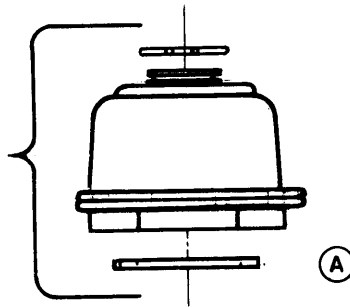
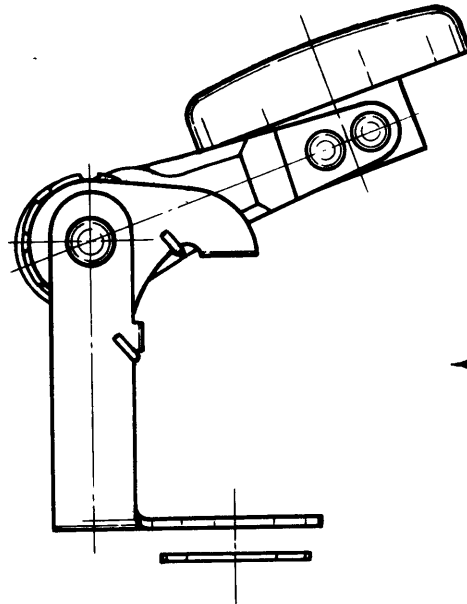
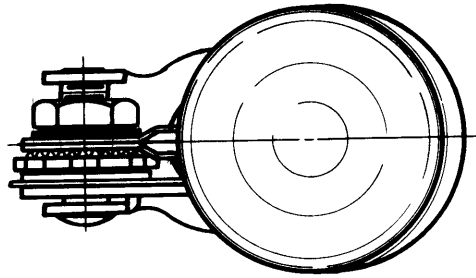
MICRO SWITCH

A DIVISION OF MINNEAPOLIS-HONEYWELL REGULATOR COMPANY
 FREEPORT, ILLINOIS
 FED. MFR. CODE 91929

PACKET

CATALOG LISTING

6 P A 9



NOTE -
 1- PARTS FURNISHED UNASSEMBLED IN BULK AS A PACKET.

THIS DRAWING COVERS A PROPRIETARY ITEM AND IS THE PROPERTY OF MICRO SWITCH, A DIVISION OF HONEYWELL. THIS DRAWING IS NOT TO BE COPIED OR USED WITHOUT THE APPROVAL OF MICRO SWITCH.

CHARACTERISTICS

ELECTRICAL DATA

SCALE

CONTACT ARRANGEMENT

BREAK DISTANCE

DO NOT SCALE PRINT

UNLESS OTHERWISE SPECIFIED
 DIMENSIONS ARE IN INCHES
TOLERANCES ARE:

ONE PLACE (.0) ±.030
 TWO PLACE (.00) ±.015
 THREE PLACE (.000) ±.005
 ANGLES ±

WEIGHT

DRAWING NUMBER: **M**
 ISSUE: **X**
 REVISIONS:
 A CO13082 O M W 16 MAR 59
 B CO-77179-D J J O 12 MAR 94
 RELEASE NO. CO11240
 CHECK: **ACS 7 FEB. 57**
 CHECK: **GCH 8 FEB. 57**
 CHECK: **R. G. C. 7, FEB. 57**
 REPLACES: **6 P A 9**
 DRAWN: **FO-90378**