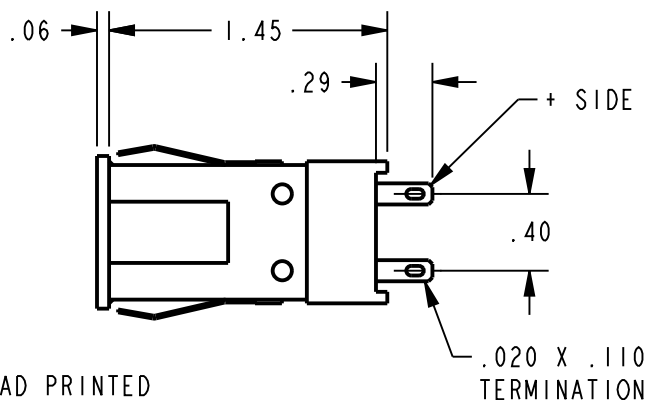
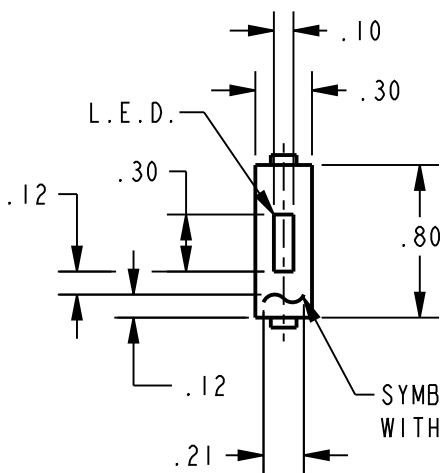
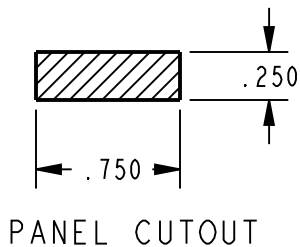


PTC / CAD 2D
 DRAWN
 KED 9NOV00
 CHECK
 SAV 9NOV00
 CHECK
 CMH
 CHECK
 9NOV00
 CHECK
 22SEP10
 CHECK
 22SEP10
 MBN
 0069666
 B
 9NOV00
 KED
 201696
 A
 REVISIONS
 ISSUE 5
 M
 CATALOG LISTING
 AML42SBW8-001
 PAGE 1 OF 1
 RELEASE NO. CO-84556
 REPLACES

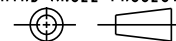


SYMBOL IS PAD PRINTED WITH WHITE INK

ANSI Y14.5M-1982 APPLIES

THIS DRAWING COVERS A PROPRIETARY ITEM AND IS THE PROPERTY OF MICRO SWITCH, A DIVISION OF HONEYWELL. THIS DRAWING IS NOT TO BE COPIED OR USED WITHOUT THE APPROVAL OF MICRO SWITCH.

THIRD ANGLE PROJECTION



CHARACTERISTICS

ELECTRICAL DATA

SCALE FULL

DO NOT SCALE PRINT

CONTACT ARRANGEMENT

UNLESS OTHERWISE SPECIFIED TOLERANCES ARE

ONE PLACE (.0) ±.030

TWO PLACE (.00) ±.015

THREE PLACE (.000) ±.005

ANGLES ±

WEIGHT

15VDC
25mA MAX

