

MICRO SWITCH

A DIVISION OF MINNEAPOLIS-HONEYWELL REGULATOR COMPANY
MUSKEGON, ILLINOIS

FED. MFR. CODE 91929

ACTUATOR-SWITCH

CATALOG LISTING

JE-13

JE-13

M

DRAWING NUMBER

2

ISSUE

CHECK

REVISIONS
A CO 61293
WJM
14 APR 67

CHECK

CHECK

CHECK

CHECK

CHECK

CHECK

CHECK

CHECK

CHECK

CHECK

CHECK

REPLACES

RELEASE NO.

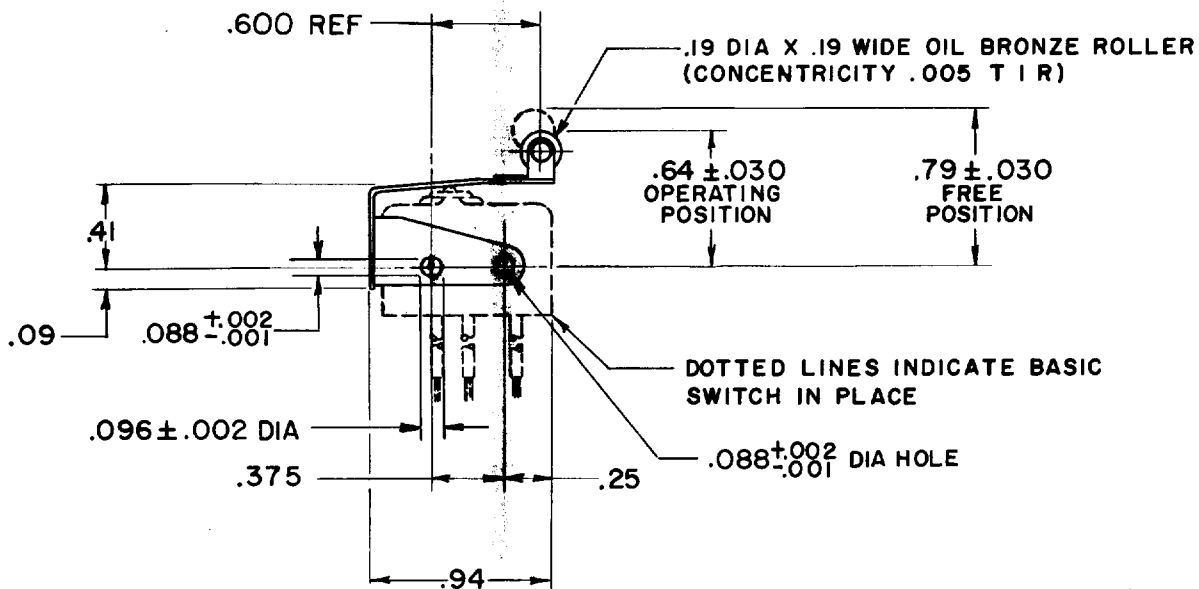
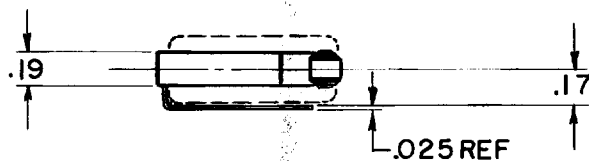
CHECK

CHECK

CHECK

CHECK

CHECK



THIS DRAWING COVERS A PROPRIETARY ITEM AND IS THE PROPERTY OF MICRO SWITCH, A DIVISION OF MINNEAPOLIS-HONEYWELL REGULATOR CO. THIS DRAWING IS NOT TO BE COPIED OR USED WITHOUT THE APPROVAL OF MICRO SWITCH.

CHARACTERISTICS (WITH ISEI)

OPERATING FORCE	— — — 12 OZ MAX
RELEASE FORCE	— — — 2 OZ MIN
DIFFERENTIAL TRAVEL	— — — .025 MAX
OVERTRAVEL	— — — .015 MIN

ELECTRICAL DATA

CONTACT ARRANGEMENT	BREAK DISTANCE
---------------------	----------------

SCALE FULL

DO NOT SCALE PRINT

UNLESS OTHERWISE SPECIFIED
DIMENSIONS ARE IN INCHES

TOLERANCES ARE:

ONE PLACE	(.0)	± .030
TWO PLACE	(.00)	± .015
THREE PLACE	(.000)	± .005
ANGLES		±

WEIGHT

0-50378

DRAWN

L S D 19 NOV 59

CHECK

CHECK

CHECK

RELEASE NO.

REPLACES