

# DK/EK-Series

Heavy Duty Toggle Switches

**PRODUCT WEBPAGE**

*request sample, configure part*



The switch that can handle your heavy duty requirements. Single or double pole with wire lead or screw terminations, and ratings to 20A 125V 10A 250V, the ac/dc DK/EK-Series is the most heavy duty toggle switch in the Carling line. Its sturdy metal construction and stiff actuation force will withstand the abuses of virtually any stringent application. The quick make/quick break contact mechanism is ideal for high voltage DC applications.

<b>1-2</b>	<b>8-20</b>	<b>125, 250</b>	<b>125, 250</b>
Poles	Amps	VAC	VDC

## Typical Applications

- Industrial Motor Control
- General Purpose

# Tech Specs

## Dielectric Strength

1000V - live to dead metal parts and opposite polarity.

## Electrical Life

25,000 cycles

## Operating Temperature

0°F to 150°F (-17.8°C to +65.6°C)

# Ordering Scheme

Sample Part Number **DK284 - 73**

Selection 1 2

### 1. SERIES

<b>8A 250V, 16A 125V, 1 HP 125-250V</b>		
	Screw Terminals	Wire Leads
<b>Single Pole</b>		
On-None-Off	<b>DA284</b>	<b>DA285</b>
<b>Double Pole</b>		
On-None-Off	<b>DK284</b>	<b>DK285</b>
<b>10A 250V, 20A 125V, 1 1/2 HP 125-250V</b>		
	Screw Terminals	Wire Leads
<b>Single Pole</b>		
On-None-Off	<b>EA204</b>	<b>EA205</b>
<b>Double Pole</b>		
On-None-Off	<b>EK204</b>	<b>EK205</b>

### 2. ACTUATOR STYLE 1

<b>BAT STYLE TOGGLE</b>		
unsealed	toggle length	bushing length
<b>73</b>	0.687	0.465
<b>BALL STYLE TOGGLE</b>		
unsealed	toggle length	bushing length
<b>32</b>	0.500	0.343

Notes:

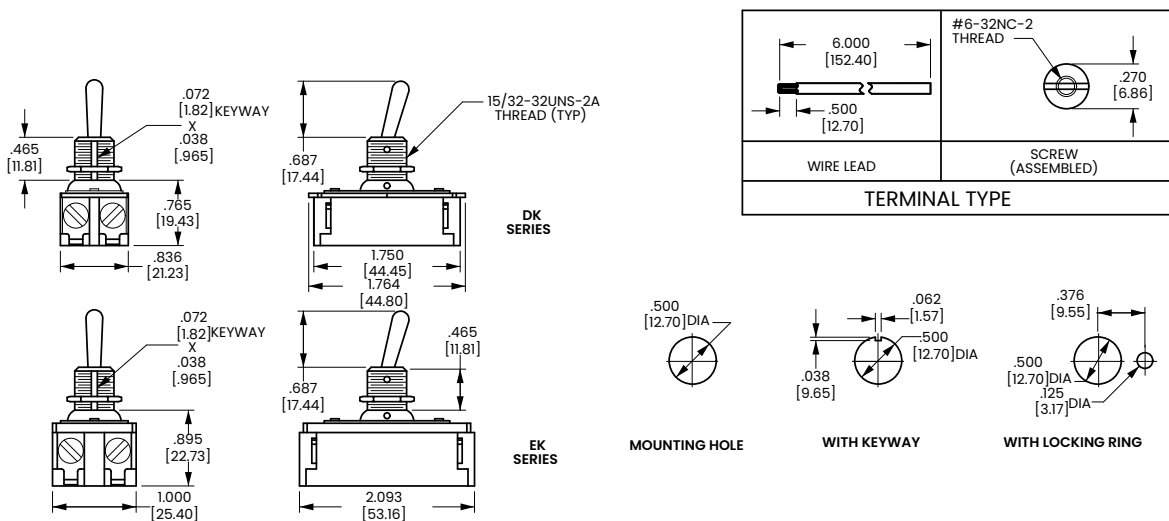
1 Additional toggle lengths available. Consult factory for details.

[Configure Complete Part Number >](#)

[Browse Standard Parts >](#)

# Dimensional Specs

inches [millimeters]



## Authorized Sales Representatives and Distributors

Click on a region of the map below to find your local representatives and distributors or visit [www.carlingtech.com/findarep](http://www.carlingtech.com/findarep).



## About Carling

Founded in 1920, Carling Technologies is a leading manufacturer of electrical and electronic switches and assemblies, circuit breakers, electronic controls, power distribution units, and multiplexed power distribution systems. With six ISO9001 and IATF16949 registered manufacturing facilities and technical sales offices worldwide, Carling Technologies Sales, Service and Engineering teams do much more than manufacture electrical components, they engineer powerful solutions! To learn more about Carling please visit [www.carlingtech.com/company-profile](http://www.carlingtech.com/company-profile).

To view all of Carling's environmental, quality, health & safety certifications please visit [www.carlingtech.com/environmental-certifications](http://www.carlingtech.com/environmental-certifications).

© Carling Technologies, Inc.

3. Carling is a registered trademark of Carling Technologies, Inc. in the U.S. and other countries.