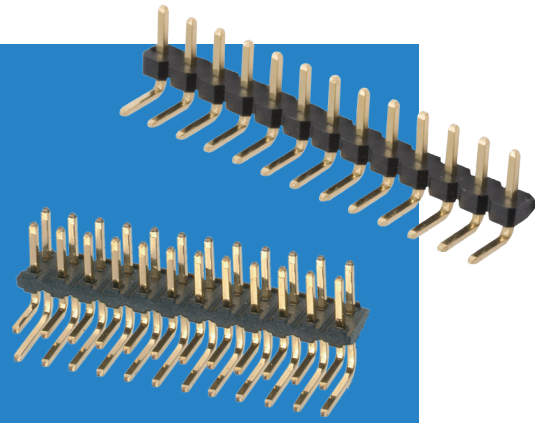


M22 Connectors

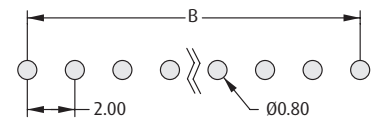
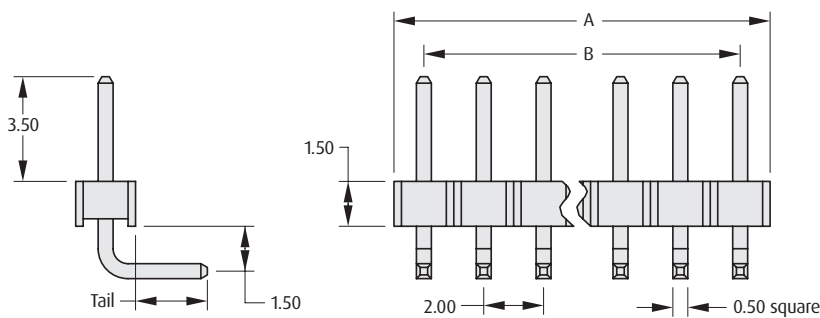
Male Horizontal PC Tail

- Suitable for use with female PCB connectors and jumper sockets.
- Pin headers can be cut into smaller sizes.
- Also available with variable dimensions.



2mm (.079") PITCH

SINGLE ROW

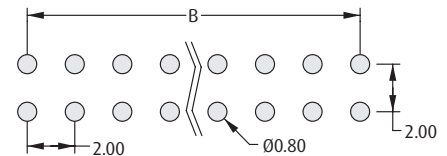
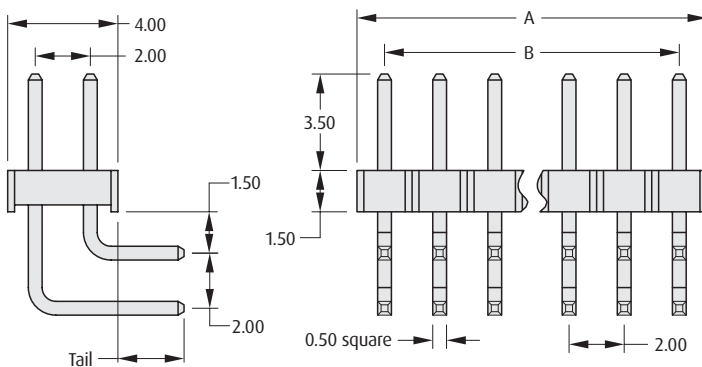


Recommended PC Board Pattern

CALCULATION

A	2 x No. of contacts per row
B	2 x (No. of contacts per row - 1)

DOUBLE ROW



Recommended PC Board Pattern

HOW TO ORDER

M22 - 2XX XX XX

SERIES CODE

TYPE		
SINGLE ROW	DOUBLE ROW	TAIL
203	204	3.00mm
253	254	2.40mm

FINISH

05	Gold
46	Tin

NO. OF CONTACTS PER ROW

02 to 25, 50	M22-203, M22-204
02 to 20	Others

All dimensions in mm.