

Customer Information Sheet

DRAWING No.: M22-532XXXX

IF IN DOUBT - ASK

©

NOT TO SCALE

THIRD ANGLE PROJECTION

ALL DIMENSIONS IN mm

SPECIFICATIONS:

MATERIAL:
 MOULDING = NYLON 6T, UL94V-0, BLACK
 CONTACTS = PHOSPHOR BRONZE

FINISH:
 05 = GOLD
 46 = 100% TIN

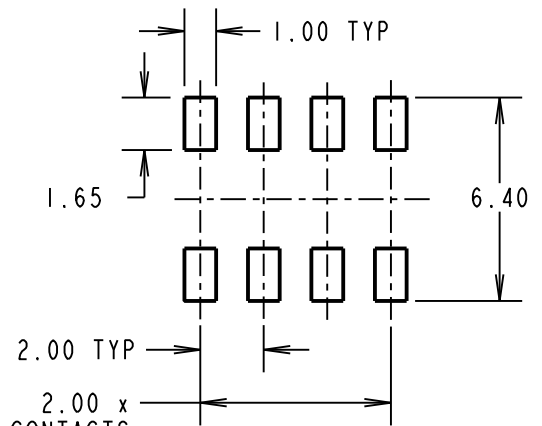
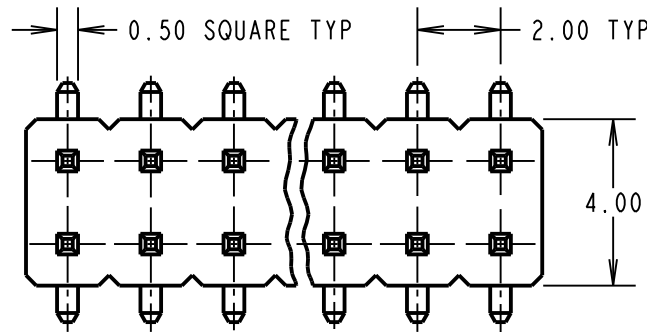
ELECTRICAL:
 CURRENT RATING = 1A
 CONTACT RESISTANCE = 20 mΩ MAX (GOLD), 30 mΩ MAX (TIN)
 INSULATION RESISTANCE = 100 MΩ MIN

MECHANICAL:
 DURABILITY = 300 OPERATIONS (GOLD), 50 OPERATIONS (TIN)
 DIELECTRIC STRENGTH = 650V AC/DC

ENVIRONMENTAL:
 TEMPERATURE RANGE = -40°C TO +105°C

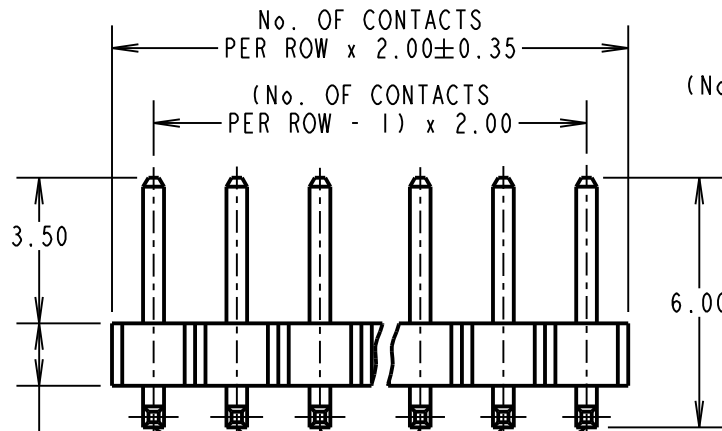
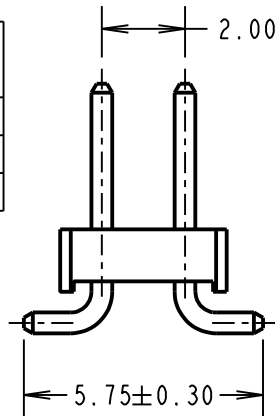
PACKING:
 BAG

FOR COMPLETE SPECIFICATION, SEE COMPONENT SPECIFICATION C018XX (LATEST ISSUE)



RECOMMENDED PCB LAYOUT TOLERANCE ±0.05mm

No OF CONTACTS	COPLANARITY TOLERANCE
2x02 TO 2x12	0.10mm MAX
2x13 TO 2x20	0.15mm MAX
2x21 TO 2x25	0.20mm MAX



(No. OF CONTACTS PER ROW - 1) x 2.00

COPLANAR SEE TABLE

- M22-53202XX
- M22-5320305
- M22-5320405
- M22-53205XX
- M22-5320605
- M22-5321005
- M22-5322205
- M22-5322505

Active products:

MGP	12	12.05.21	30542
NAME	ISS.	DATE	CN/CO
APPROVED: MGP			
CHECKED: MR			
DRAWN: I. SANDY			

OBSOLETE
 All other size/finish combinations not listed as Active products.

- NOTES:**
- ALL TOLERANCES ARE ±0.25 UNLESS OTHERWISE STATED.
 - SEE DRAWING M22-532XXXXP FOR PICK & PLACE VERSION, M22-532XXXXR FOR TAPE AND REELED.
 - CO-PLANARITY: FLATNESS OF SMT TAILS MUST NOT EXCEED VALUES GIVEN IN TABLE.

ORDER CODE: **M22-532XXXX**

No. OF WAYS PER ROW _____
 02-25

FINISH _____
 05 - GOLD
 46 - 100% TIN



www.harwin.com
 technical@harwin.com

THIS DRAWING AND ANY INFORMATION OR DESCRIPTIVE MATTER SET OUT HEREON ARE CONFIDENTIAL AND COPYRIGHT PROPERTY OF THE HARWIN GROUP AND MUST NOT BE DISCLOSED, LOANED, COPIED OR USED FOR MANUFACTURING, TENDERING OR FOR ANY OTHER PURPOSE WITHOUT THEIR WRITTEN PERMISSION.

TOLERANCES
~~X = ±1mm~~
~~X.X = ±0.50mm~~
~~X.XX = ±0.20mm~~
~~X.XXX = ±0.1mm~~
 ANGLES = ±5°
 UNLESS STATED

MATERIAL:
 SEE ABOVE

FINISH:
 SEE ABOVE

S/AREA: mm²

TITLE:
 2.00mm PITCH DIL SMT PIN HEADER ASSEMBLY

DRAWING NUMBER:
M22-532XXXX

SHT 2 OF 2