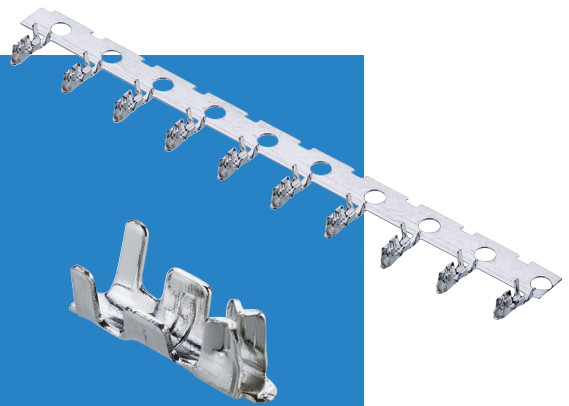


# M30 Connectors

## Female Crimp Contacts

- ❖ Loose or reeled contacts.
- ❖ Open crimp design, ideal for automation.
- ❖ Use with female crimp housings shown on previous page.
- ❖ Pre-crimped contacts with wire attached shown on following page.

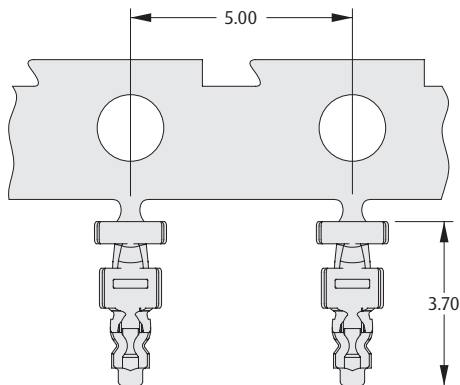


1.25mm (.049") PITCH

### CONTACTS

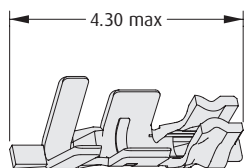
#### Reeled (continuous strip)

- ❖ Order code is for one reel of 10,000 contacts.



#### Loose (cropped)

- ❖ Order code is for one pack of 100 contacts.



### HAND CRIMP TOOL

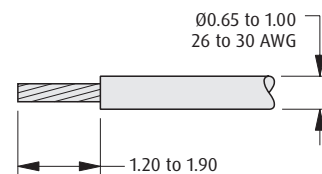
- ❖ Instruction sheet is available at [www.harwin.com/instructions](http://www.harwin.com/instructions).
- ❖ For use with loose contacts.



#### ORDER CODE

Z30-021

### WIRE STRIPPING DETAILS



### HOW TO ORDER

**M30 - 10 X 00 46**

#### SERIES CODE

#### TYPE

5	Reeled contact
6	Loose contact

#### FINISH

46 Tin

All dimensions in mm.