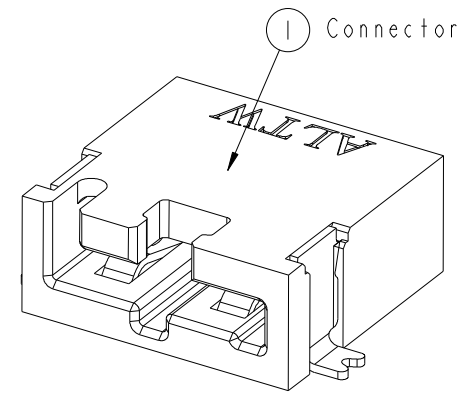
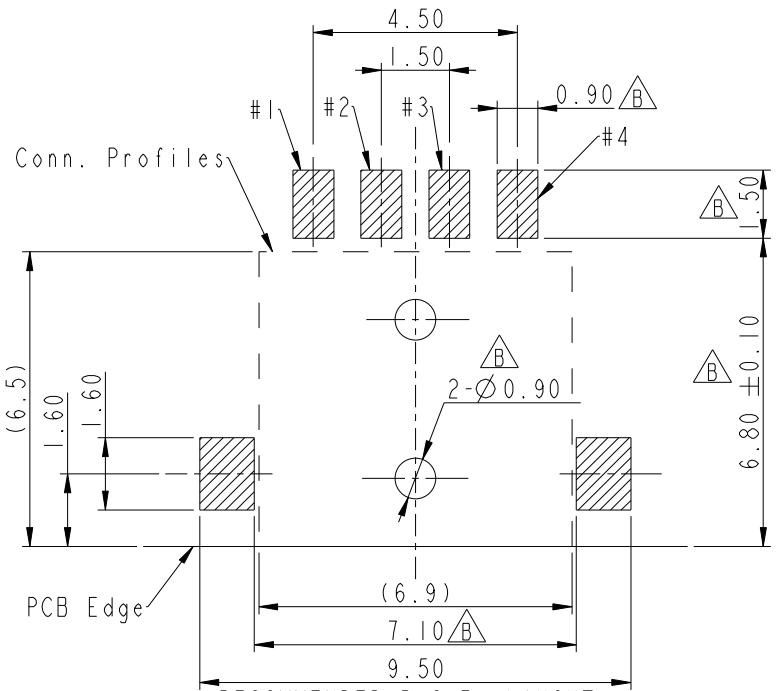
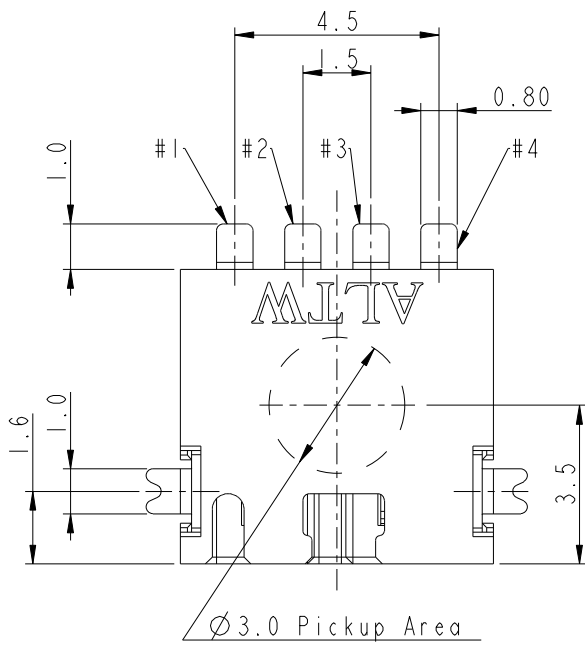
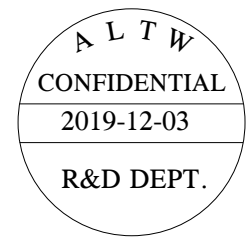
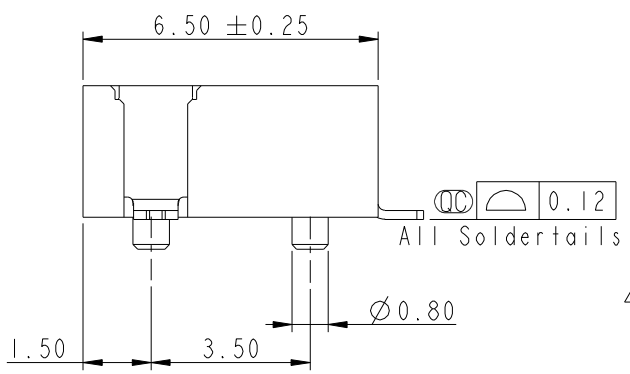
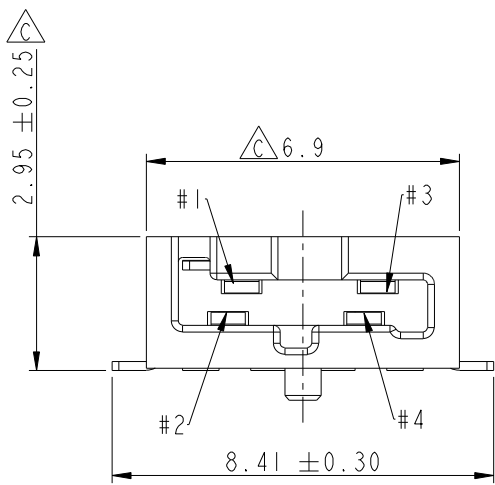


THIS DOCUMENT IS SUBJECT TO CHANGE WITHOUT NOTICE. IT IS CONFIDENTIAL AND A PROPERTY OF Amphenol LTW. DISCLOSURE TO THIRD PARTY HAS TO BE AUTHORIZED BY Amphenol LTW.

REV.	ECN NO.	DATE	SIGN	DESCRIPTION
C	LE313C0105	2013-12-16	Fisher	Change Plating and Package
D	CI91205	2019-07-29	NianPing Yu	Add UL label
E	CI92063	2019-12-03	NianPing Yu	△EXI



RECOMMENDED P.C.B. LAYOUT
GENERAL TOLERANCE IS ±0.05



- Notes:
- * Important Dimension To Check.
 - * Housing: High temperature thermoplastic. UL94V-0, color is Natural white.
 - * Terminal: Copper Alloy, Gold Plated on contact area. Tin plated on solder tails.
 - * Solder Peg: Copper Alloy, Tin plated over Nickel.

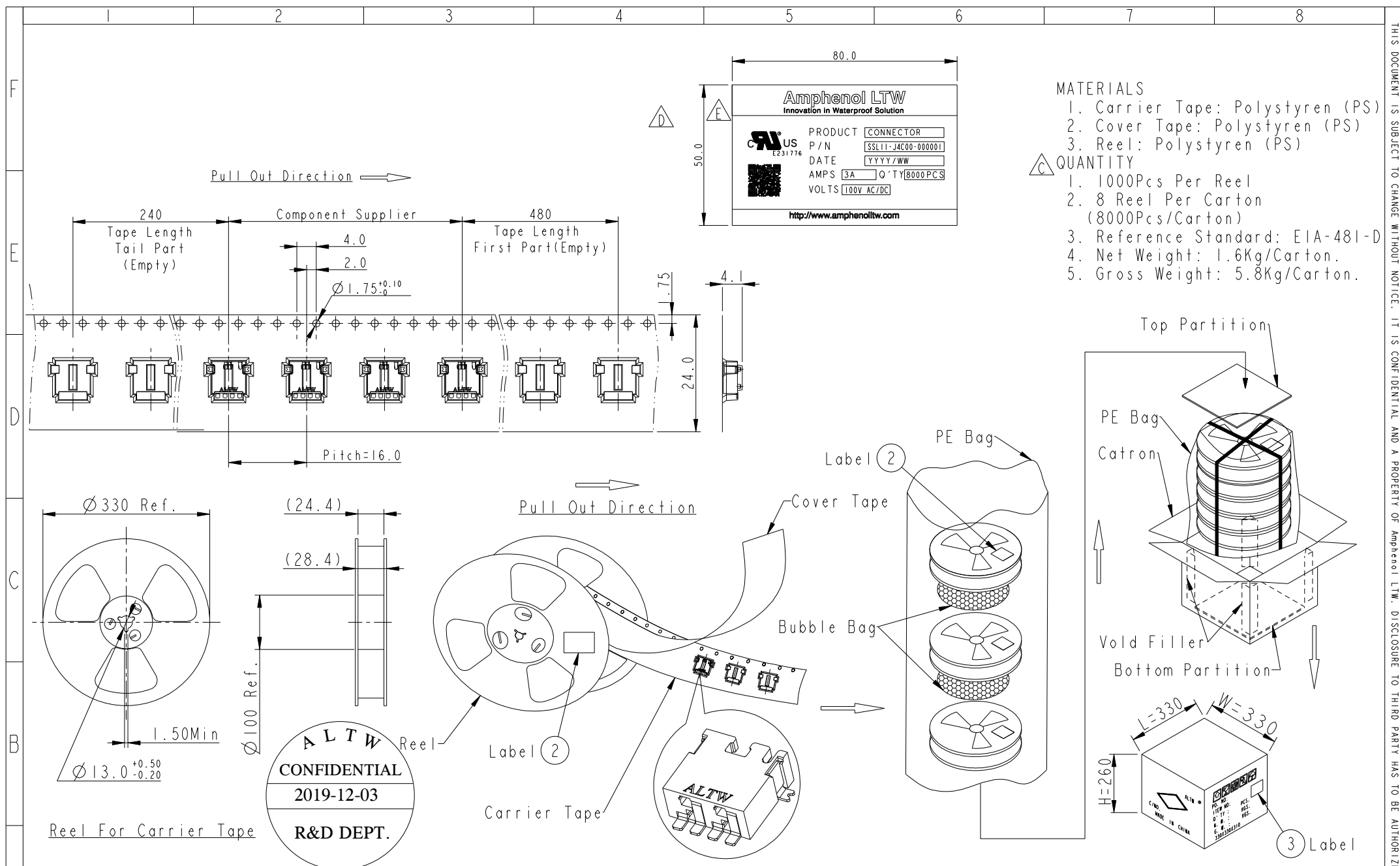
UNIT: mm		
TOLERANCE	.X ±0.25	
	.XX ±0.1	
	.XXX ±0.05	
ANGLES	±1°	

TITLE SSL-1.1 DC JACK CONNECTOR 4-POS. WITH POST, SMT TYPE			
SCALE	6:1	SIZE	A4
SHEET	1	OF	2
REV.	E	WC-REV.	C.3
QC: Inspection item			

Amphenol LTW
安費諾亮泰企業股份有限公司

ITEM NO	SSL11-J4C00-000001	DRAWN BY	NianPing Yu	DATE	2019-07-29
DWG NO	SSL11-J4C00-000001	CHECKED BY	Fisher Wang	DATE	2019-07-29
CUSTOMER	ALTW	APPROVED BY	Max Yang	DATE	2019-07-29

THIS DOCUMENT IS SUBJECT TO CHANGE WITHOUT NOTICE. IT IS CONFIDENTIAL AND A PROPERTY OF Amphenol LTW. DISCLOSURE TO THIRD PARTY HAS TO BE AUTHORIZED BY Amphenol LTW.



- MATERIALS**
- Carrier Tape: Polystyren (PS)
 - Cover Tape: Polystyren (PS)
 - Reel: Polystyren (PS)
- QUANTITY**
- 1000Pcs Per Reel
 - 8 Reel Per Carton (8000Pcs/Carton)
 - Reference Standard: EIA-481-D
 - Net Weight: 1.6Kg/Carton.
 - Gross Weight: 5.8Kg/Carton.

UNIT:mm		TITLE		ITEM NO		DRAWN BY		DATE	
		SSL-1.1 DC JACK CONNECTOR 4-POS. WITH POST, SMT TYPE		SSL11-J4C00-000001		NianPing Yu		2019-07-29	
TOLERANCE .X ±0.25 .XX ±0.1 .XXX ±0.05 ANGLES ±1°		SCALE	SIZE	SHEET	DWG NO	CHECKED BY		DATE	
		5:1	A4	2 OF 2	SSL11-J4C00-000001	Fisher Wang		2019-07-29	
		REV.	WC-REV.	QC: Inspection item	CUSTOMER		APPROVED BY		DATE
		E	C.3		ALTW		Max Yang		2019-07-29

Amphenol LTW
 安費諾亮泰企業股份有限公司