

# MICRO SWITCH

FREEPORT ILLINOIS, U.S.A.  
A DIVISION OF HONEYWELL  
FED. MFG. CODE 91929

# SWITCH-BASIC

CATALOG LISTING

## BE-2R-P4

BE-2R-P4

M

DRAWING NUMBER

ISSUE 10

REPLACES

RELEASE NO. PR-3663

CHECK

CHECK

23 MAR 82

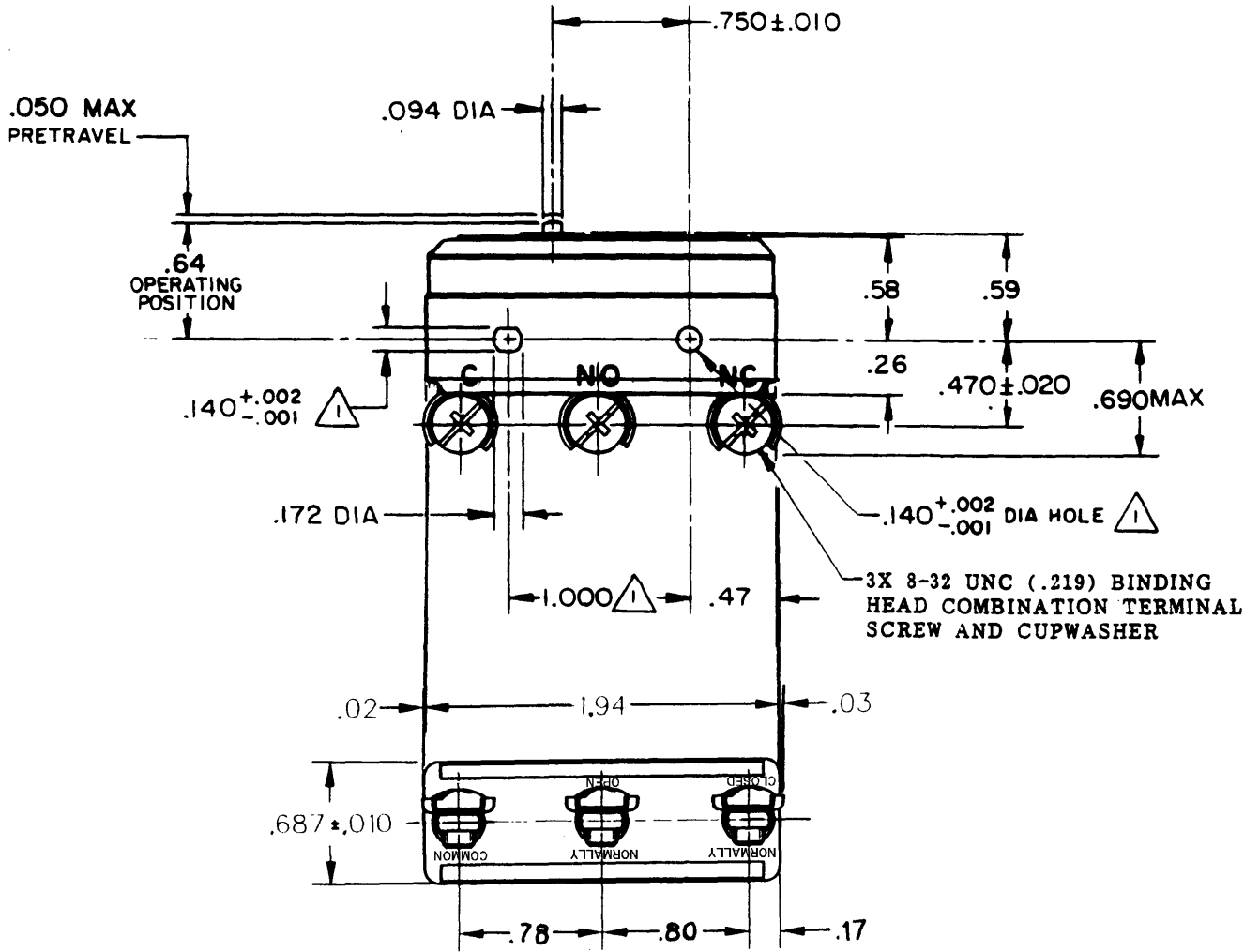
C E B

CHECK

16 MAR 82

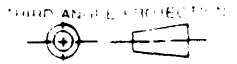
DRAWN

WJM



**NOTES**  
 1 MOUNTING HOLES WILL ACCEPT PINS OR SCREWS OF  $.139$  MAX DIA ON  $1.000 \pm .002$  CENTERS

THIS DRAWING COVERS A PROPRIETARY ITEM AND IS THE PROPERTY OF MICRO SWITCH, A DIVISION OF HONEYWELL. THIS DRAWING IS NOT TO BE COPIED OR USED WITHOUT THE APPROVAL OF MICRO SWITCH.



CHARACTERISTICS
OPERATING FORCE ----- 14-22 OZ
RELEASE FORCE ----- 10 OZ MIN
DIFFERENTIAL TRAVEL --- .0020-.0075
OVERTRAVEL ----- .010 MIN

ELECTRICAL DATA
CONTACT ARRANGEMENT S P D T
25A-125, 250, 480VAC 1HP-125VAC; 2HP-250 or 480VAC PILOT DUTY 750VA-480VAC, MAX 60/75°C (Cu)

SCALE FULL
DO NOT SCALE PRINT
TOLERANCES
APPLY TO DESIGN UNITS DIMENSIONS ARE IN INCHES UNLESS OTHERWISE SPECIFIED TOLERANCES ARE:
DESIGN UNITS
WEIGHT .063 LB

REVISIONS
A OBS DMC CO-46317 SMA 20 AUG 79
B REINST PRI1041 WJM 16 MAR 82
C CO- 58782 WJM 23 JAN 86
D CO- 73287-6 J A L 20 OCT 93
E CO- 753678 K D R 3 MAR 94
F CO- 77863 G J W 30 APR 96

0-52648-A