



Description

The Redington Model 9200-HTK hand tachometer kit combines low cost with convenience. Simple to use... push the measurement button to record the speed. The tachometer can be used for contact or non-contact measurement on rotating machinery or surface speed. The photoelectric probe is used with reflective tape to detect rotating objects. The accessory adaptor with pointed tip can be added for contact measurement or wheels can be used for surface speed measurement.

Features

- Combination unit - Photo and Contact
- Wide speed range - 30.0-30,000 RPM, 0.1 resolution
- Sampling time of 1-2 seconds
- Automatic shutoff after 3 minutes
- Digital display with low battery alarm and reflective light input indicator
- Carrying case included

Options

- Remote probe for those hard to reach places

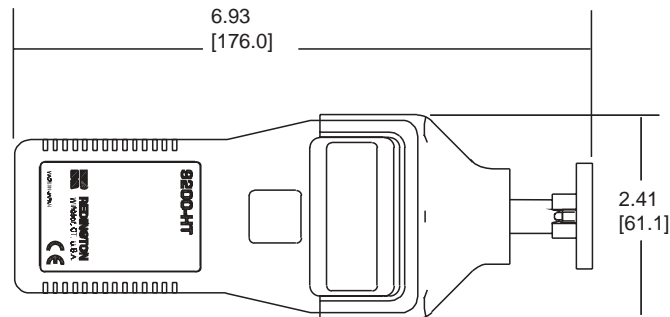
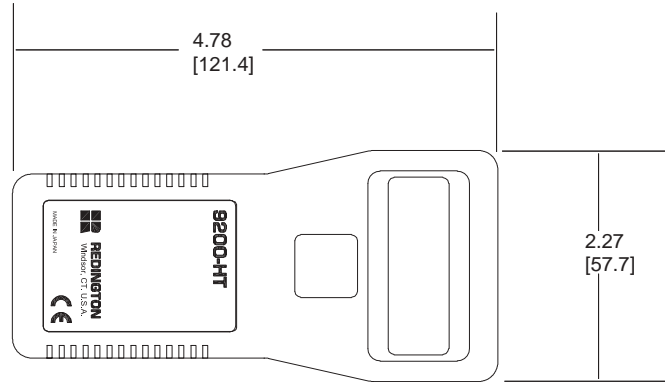
Specifications

Power Source:	4 alkaline batteries (AAA, 1.5 V) continuous measurement 20 hours.	Automatic power cutoff:	After 3 minutes from last measurement.
Accuracy:	± 0.01% ± 1 digit RPM f/min. (others ± 0.05% or ± 1 digit including tolerance for conversion).	Display:	6 digit high contrast LCD
Measurement Distance:	2"-14" (50-300mm) with reflective tape.	Approvals:	CE compliant, passed EMC tests EMI: EN50081-1 & EMS: EN50082-1
Measurement Range:	30.0-30,000 RPM, 3.28-3280 y/m when used with the surface wheel.	Weight:	7 oz [199g] (with in-line contact adaptor).
Sampling time:	1.0-2.0 sec.	Operating temperature:	+40°F to +104°F [+4°C to +40°C]
		Warranty:	1 year

Models	Description	Models	Description
9200-HTK	Hand Tachometer Kit: includes, Hand Tach. (Photo), In-Contact adaptor, Rubber tips (3), Reflective Tape (10 sheets), Surface Speed wheels, 1 ea. (1/10 m/min., and 1/10 yd./min.), Carrying Case, Batteries (4 AAA size, 1.5 V, Instructions Manual).	9200-HT	Hand Held Tachometer
		1887-021S	Remote Probe
		1895-004S	Rubber Tips (1/10 Meter)
		1895-006S	Surface Wheel (1/10 Yard)
		200507-046S	Reflective Tape (10 Sheets)

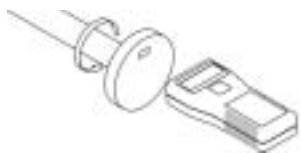


Dimensions

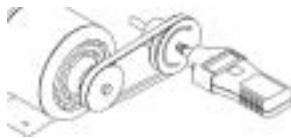


Applications

Speed of many rotating objects



Check motor speeds



Conveyor line speed

